

aquatica®

Function, Form & Fashion



Liquid Space by Noa
Acrylic Bathtub

Installation & Care Manual

USA and CANADA

www.aquaticaplumbing.com

E: info@aquaticaplumbing.com

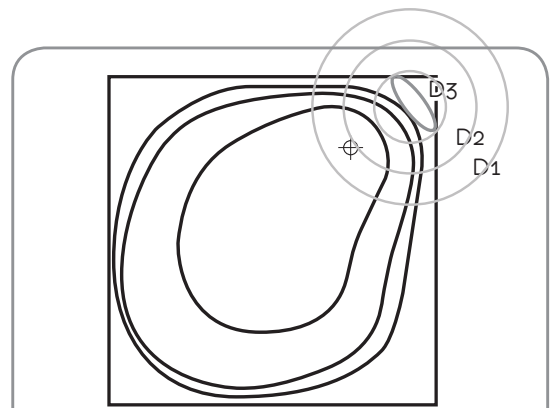
aquatica®
Function, Form & Fashion

Liquid Space by Noa

Acrylic Bathtub

... At a glance

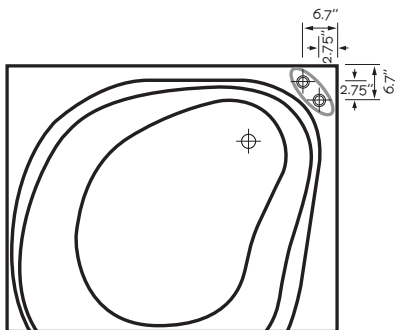
- Type & Shape:** Oval Monobloc (Seamless) bathtub
- Dimensions:** 55.1×55.1×23"
- Weight:** 172 lbs
- Water Volume:** 55 US Gallons
- Faucet installation:** Deck, wall or floor mounted faucets



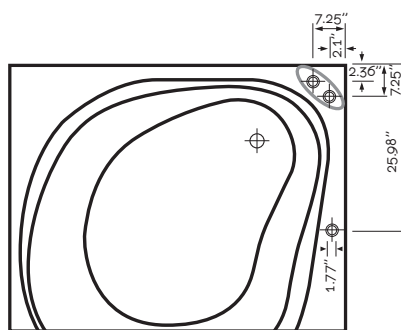
Faucet Application Places

Sample Deck Mounted Faucet Application:

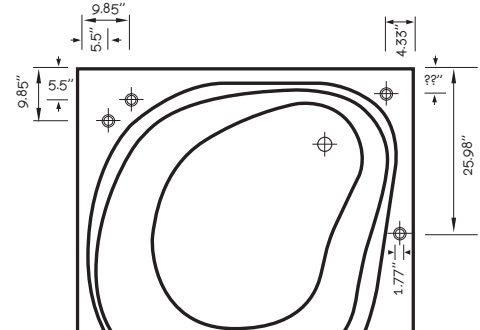
IMPORTANT: Please check your faucet specifications carefully. Due to the unique shape of the Liquid Space bath, we cannot guarantee what faucets may or may not fit the tub.



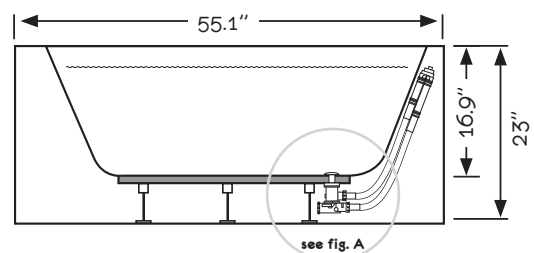
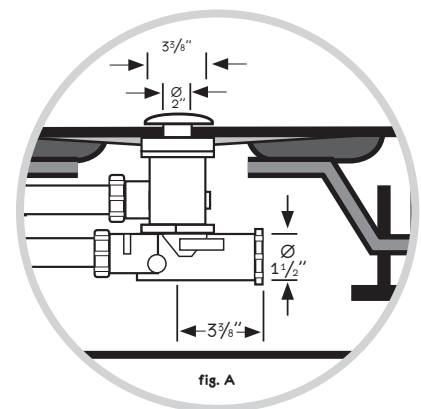
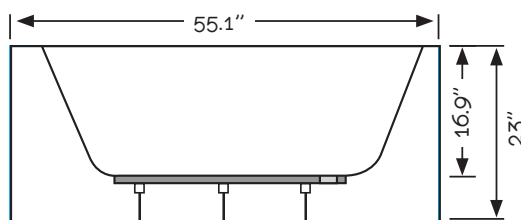
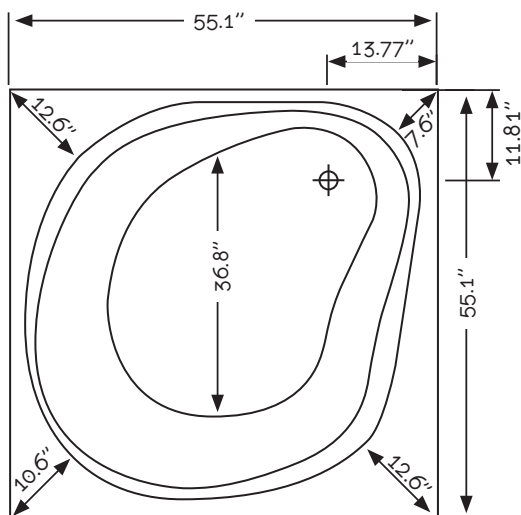
For 2 Hole Bath Fillers



For 3 Hole Bath Fillers



For 4 Hole Bath Fillers



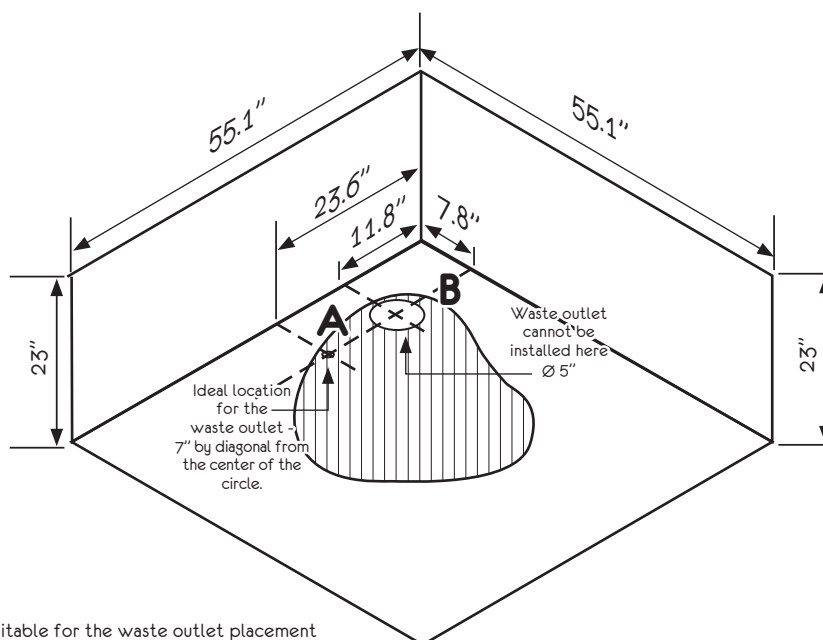
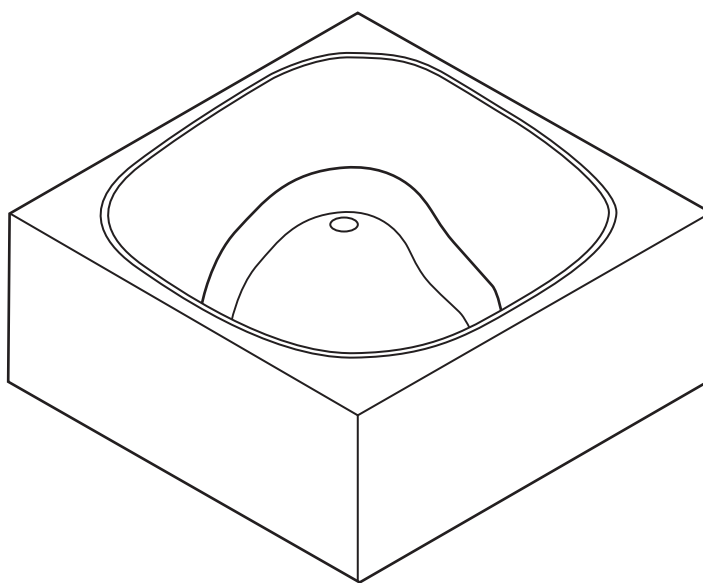
Liquid Space by Noa

Acrylic Bathtub

aquatica®

Function, Form & Fashion

... Planning and preparing
your installation location:



aquatica®

Function, Form & Fashion

Liquid Space by Noa

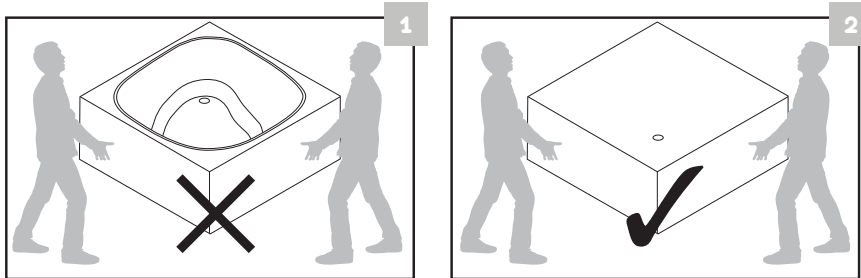
Acrylic Bathtub

TYPICAL FREESTANDING BATHTUB INSTALLATION PROCEDURE

Before you start:

- Ensure that the floor is even.
- The waste-overflow fitting is supplied with the product, however other accessories like the slip joint and adaptors are not included and must be purchased separately.
- Because of the technical features of the product, it should be used only with the supplied waste-overflow or specific 3rd party models that have been tested and approved by us.
- Handgrip application for our product is not available.
- The bathtub must be carried in the upside-down position. Do not lift or support the bathtub by the panels.
- Place the bathtub by raising it up 3½" with 4x4 peices of lumber so you can have access from the bottom of the bathtub.
- For cleaning of the acrylic bathtub look at our Acrylic Bathtub Maintenance Manual.

INSTALLATION SEQUENCE



- **Picture 1-2:** the bathtub must be carried upside-down. It must never be carried by its panel.
- **Picture 3:** the Liquid Space bathtub is equipped with hidden (automatic) overflow system. The automatic waste-overflow fitting is pre-installed with the bathtub at the factory. The waste pipe/p-trap connection must be made directly to the waste/drain outlet located at the bottom of the tub.

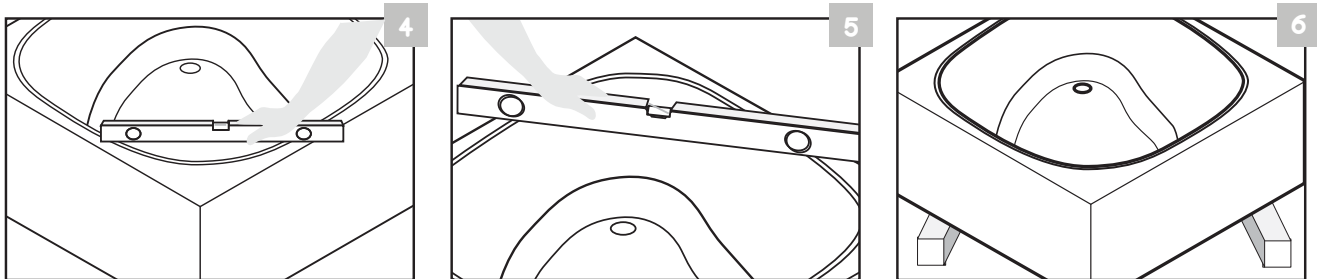




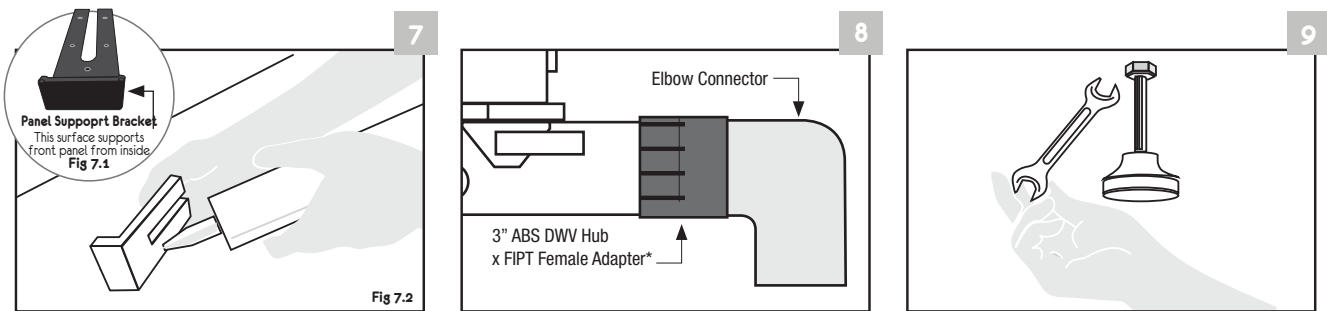
DESIGNED IN GERMANY



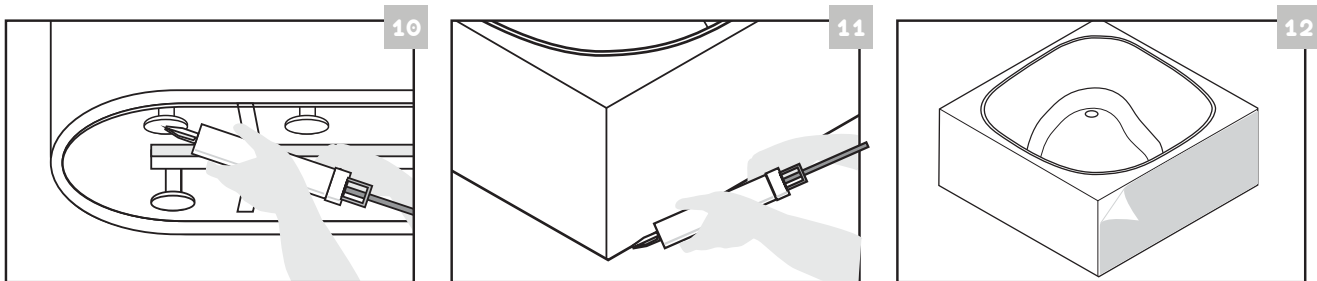
INSTALLATION SEQUENCE continued



- **Picture 4-5:** the bathtub is leveled via a water level at the intended local installation area.
- **Picture 6:** place the bathtub by raising it up 3½" with 4x4 pieces of lumber so you can have access from the bottom of the bathtub. **Important note:** during the installation, the bathtub should not be turned on its side to prevent its weight from deflecting its monobloc sides. This is why it is important to use supports to raise the bathtub above the floor. This will also provide you with easy access to the internal plumbing parts.

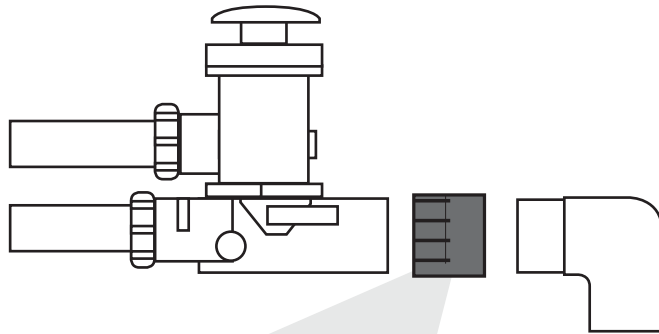


- **Picture 7:** the monobloc sides of the bathtub touching the floor should be marked. The panel supporting brackets should be taken inside as much as the thickness of the acrylic panel allows and be fixed with silicone to the floor. The panel supporting brackets are mounted to the bathtub feet to support the decorative front panel in case of unexpected lateral forces.
- **Picture 8:** the water outlet pipe should be connected. * The ABS female adapter features a hub x female NPT thread connection and provides a means for adapting a solvent weld connection to a threaded connection
- **Picture 9:** foot leveling lock nuts are adjusted.

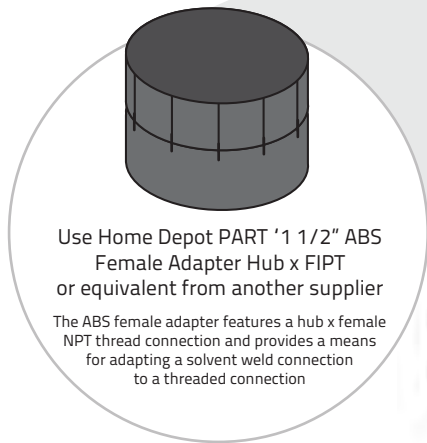


- **Picture 10:** silicone is applied to the feet of the bathtub that stands on the floor.
- **Picture 11:** when the installation is completed, the bathtub is taken down from the supports (ie 2 x 4x4's). If necessary, installation is completed by applying silicone at several points between the bottom panel and floor.
- **Picture 12:** any remaining protective packaging should be removed only after the bathtub installation and other construction work in the bathroom is fully finished.

Installation Procedure at a Glance



- **Drain** (provided)
- **1½" Female Adapter**
- **Elbow Connector**

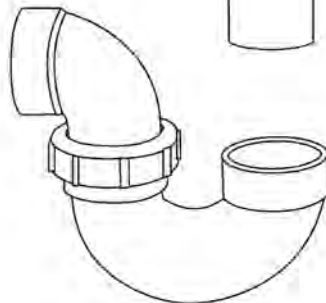


Use Home Depot PART '1 1/2" ABS Female Adapter Hub x FIPT or equivalent from another supplier

The ABS female adapter features a hub x female NPT thread connection and provides a means for adapting a solvent weld connection to a threaded connection



- **1½" ABS Extension Pipe***
(cut to length)



- **1½" ABS Trap***

* Provided by plumber

Compatible adaptors for adapting a threaded male connection to a solvent weld connection:

- Mueller Industries: Part # 05913

Or

- Nibco: C5803 or c4803

<http://t.homedepot.com/p/NIBCO-3-in-PVC-DWV-Hub-x-FIPT-Female-Adapter-C4803HD3/100345631/>

<http://t.homedepot.com/p/NIBCO-4-in-PVC-DWV-Hub-x-FIPT-Female-Adapter-C4803HD4/100677997/>

The adaptor must have the appropriate thread type or it will keep slipping and you will not be able to get a tight connection!